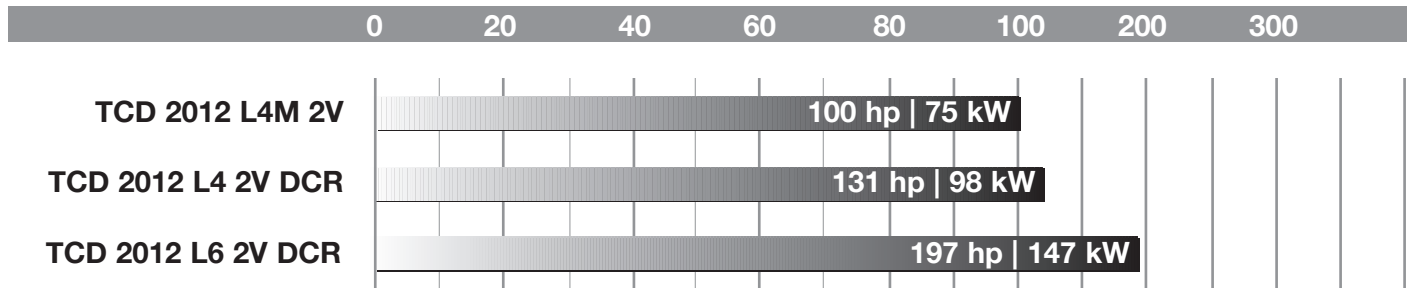


2012 Series

The Diesel Power Pack by DEUTZ

100–197 hp | 75–147 kW



Three Configurations Available:

- Enclosed Power Unit
- Open Pedestal-Mounted
- Open Skid Base w/Shroud

All 2012 Series Power Packs include:

- Pedestal Mounts
- Factory-fitted 12V Starter and Alternator
- Air Cleaner with Rain Cap
- Exhaust Pipe
- Cooling System with Pressurized Expansion Tank and V-belt Guard
- Coolant Temperature and Oil Pressure Sensors
- Mounted Fuel Pre-filter
- Mass Balancer (4-cylinder models)
- Pusher Fan
- 3-year, 3000-hour Limited Warranty

2012 Open Skid-Mounted Power Packs also include:

- Exhaust Pipe
- Engine Control Panel with Safety Shutdown Feature
- Throttle Control Assembly
- Skid Base and Front Shroud

2012 Enclosed Power Packs also include:

- Hood and Rear Shroud Assembly
- Muffler Assembly with Rain Cap

Optional Kits also available:

- Puller Fan
- Battery Rack and Cable
- Enclosure Side Doors
- Engine Control Panel
- 4-cylinder models w/o Mass Balancer

2012 Series

The Diesel Power Pack by DEUTZ

100–197 hp | 75–147 kW

Performance Data

		TCD 2012 L4M 2V	TCD 2012 L4 2V DCR	TCD 2012 L6 2V DCR
Number of cylinders		4	4	6
Bore/stroke	mm inch	101/126 4/5	101/126 4/5	101/126 4/5
Swept volume	l cu inch	4.04 247	4.04 247	6.06 370
Compression ratio		18:1	18:1	18:1
Max. rated speed	rpm	2400	2400	2400
Fuel Injection System		Mechanical	DEUTZ Common Rail	DEUTZ Common Rail
Power output to ISO 14396	hp kW	100 74.6	131 98	197 147.0
At engine speed	rpm	2400	2400	2400
Max. torque	Nm lb-ft	420 310	495 365	770 568 ³
At engine speed	rpm	1600	1600	1600
Minimum idle speed	rpm	850	650	650
Specific fuel consumption ²	g/kWh lb/hp-hr	214 0.35	204 0.35	212 0.35

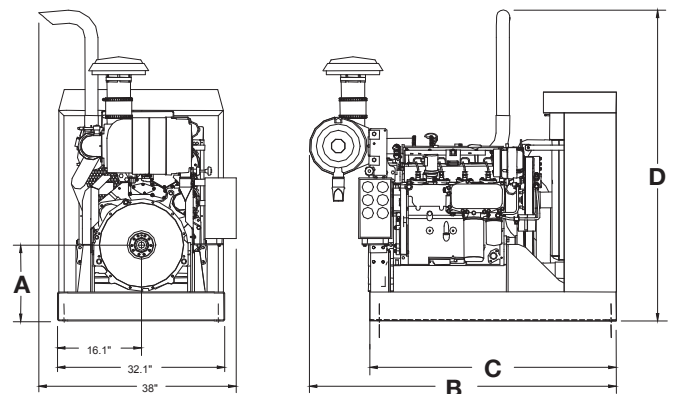
Dimensions*

		A	B	C	D
TCD 2012 L4M 2V	in	16.6	62.4	40.3	54.2
TCD 2012 L4 2V DCR	in	16.6	62.4	40.3	54.2
TCD 2012 L6 2V DCR	in	16.6	71.8	60.0	65.1

* Based upon Open Skid-Mounted configuration

- 1) US-EPA Tier 3 Power ratings for mobile construction machines. Output data without deduction of fan output.
- 2) Best full-throttle diesel fuel consumption at a density of 0.835 kg/dm³ at 15° C (6.96 lb/US gallon at 60° F).
- 3) 850 Nm | 627 lb-ft with switched EGR.

The data contained herein are for informational purposes only and are not binding.



*Open skid-mounted configuration shown

DEUTZ Corporation
 3883 Steve Reynolds Blvd
 Norcross, GA 30093
 Phone (770) 564-7100
 Email: engines@deutzusa.com
 www.deutzamericas.com

PN 9998114 / Apr 2009

The engine company. 